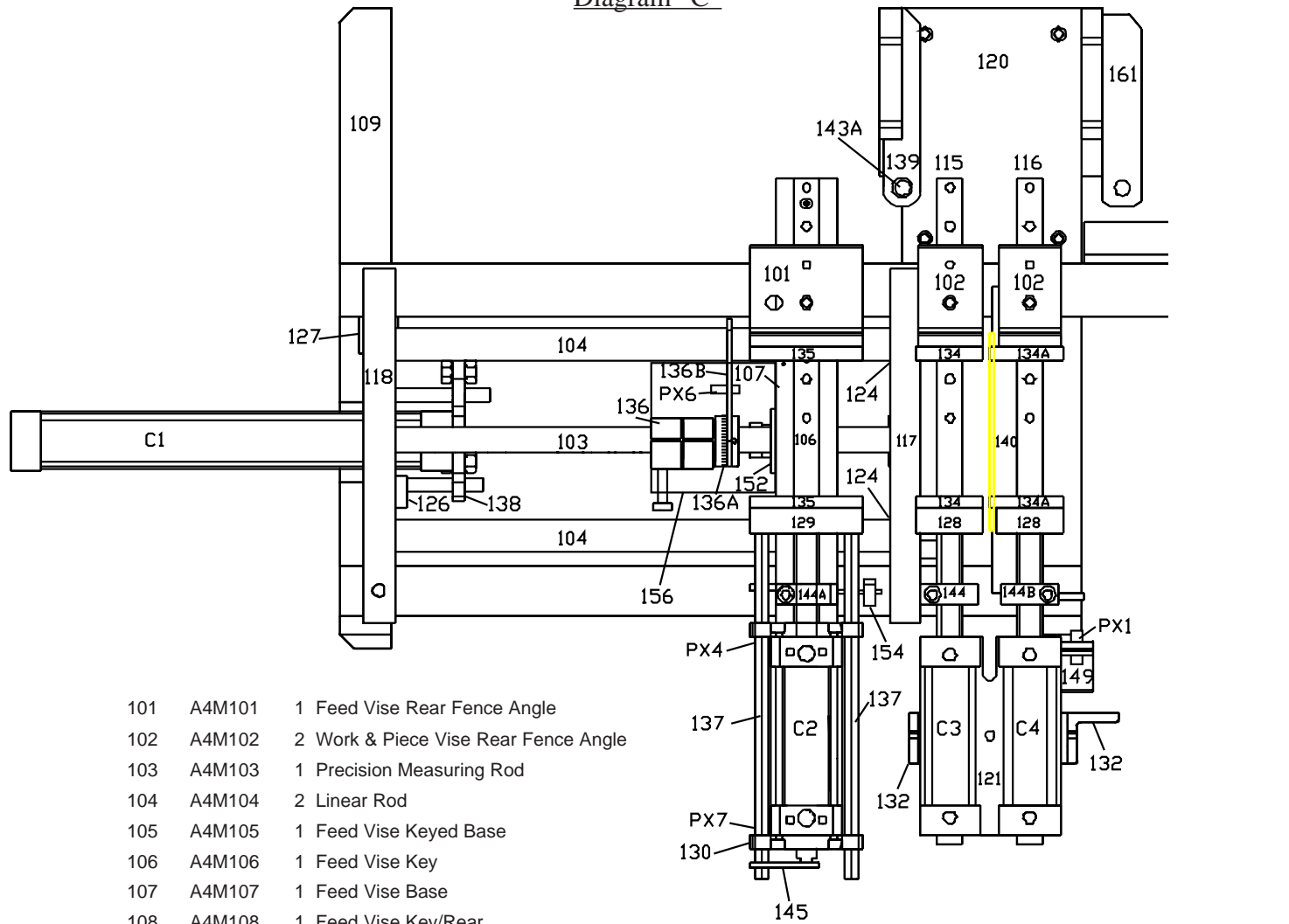
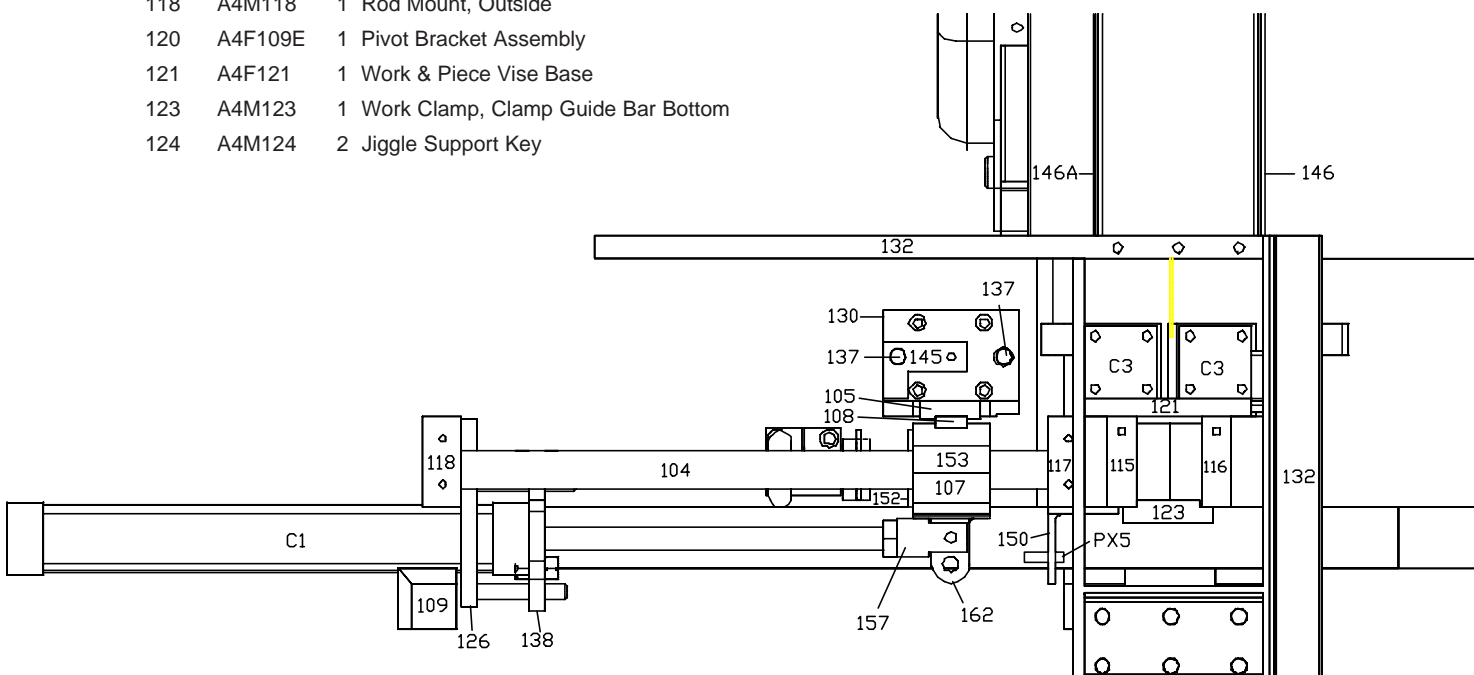


Diagram "C"



- 101 A4M101 1 Feed Vise Rear Fence Angle
- 102 A4M102 2 Work & Piece Vise Rear Fence Angle
- 103 A4M103 1 Precision Measuring Rod
- 104 A4M104 2 Linear Rod
- 105 A4M105 1 Feed Vise Keyed Base
- 106 A4M106 1 Feed Vise Key
- 107 A4M107 1 Feed Vise Base
- 108 A4M108 1 Feed Vise Key/Rear
- 109 A4M110E 1 Base/Frame Support Assembly
- 115 A4M115 1 Work Vise Support
- 116 A4M116 1 Piece Vise Support
- 117 A4M117 1 Rod Mount Inside
- 118 A4M118 1 Rod Mount, Outside
- 120 A4F109E 1 Pivot Bracket Assembly
- 121 A4F121 1 Work & Piece Vise Base
- 123 A4M123 1 Work Clamp, Clamp Guide Bar Bottom
- 124 A4M124 2 Jiggle Support Key



- A4B3P09 1 Shut Off Ball Valve
- C1 A4B3P312FC 1 Feed Cylinder 300x12-1/2 FC Air Cylinder
- C2 A4B3P493 1 Feed Vise Cylinder 490x3 Double Rod End Cylinder MC
- C3 A4B3P243 1 Work Clamp Cylinder 240x3 Double Rod End Cylinder MC
- C4 A4B3P243 1 Piece Clamp Cylinder 240x3 Double Rod End Cylinder MC
- PX1 A4B56P12MM 1 Work & Piece Clamps clamped/unclamped BES-516-329-E5-Y-S4 Proximity Switch, Balluff
- PX2 A4B5P18MM 1 Saw Cylinder Retracted BES-516-355-E5-Y-S4 Proximity Switch, Balluff
- PX3 A4B5P18MM 1 Saw Cylinder Down BES-516-355-E5-Y-S4 Proximity Switch, Balluff
- PX4 A4B5P12MM 1 Feed Vise Clamp clamped/unclamped BES-516-329-E5-Y-S4 Proximity Switch, Balluff
- PX5 A4B5P18MM 1 Feed Cylinder Fully Extended BES-516-355-E5-Y-S4 Proximity Switch, Balluff
- PX6 A4B5P18MM 1 Feed Cylinder Fully Retracted BES-516-355-E5-Y-S4 Proximity Switch, Balluff
- PX7 A4B5P12MM 1 Out of Stock Stop; no material to feed BES-516-329-E5-Y-S4 Proximity Switch, Balluff
- PX8 A4B5P12MM 1 Hinged Material Cover BES-516-329-E5-Y-S4 Proximity Switch, Balluff
- PX9 A4B5P12MM 1 Door - Right BES-516-329-E5-Y-S4 Proximity Switch, Balluff
- 126 A4M126 1 Feed Cylinder Mounting Bar
- 127 A4M127 1 Jiggle Angle Support
- 128 A4M128 2 Vise Jaws, Work & Piece
- 129 A4M129 1 Feed Vise Jaw
- 130 A4M130 2 Feed Vise Rod Guide
- 132 A4M132 1 Blade Guard Brace & Cylinder Cover Support
- 133 A4M133 1 Blade Guard & Power Feed Support
- 134 A4M134 2 Work Vise Jaw Inserts
- 134A A4M134A 2 Piece Vise Jaw Inserts
- 135 A4M135 1 Feed Vise Jaw Insert/Rear & Front
- 136 A4F136E 1 Precision Measuring Stop
- 136A A4B7S136A 1 Dial Precision Measuring Stop
- 136B A4F136B 1 Sensor Bracket Precision Measuring Stop
- 137 A4M137 2 Feed Vise Guide Rods
- 138 A4M138 1 Feed Cylinder Mounting Plate
- 139 A4M139 1 Power Feed & Door Support, Inside
- 139A A4M139A 1 Power Feed & Door Support, Outside
- 139B A4M139B 1 Door Support Outside Spacer
- 146 A4F275BE 1 Door Assembly, Outside
- 146A " 1 Door Assembly, Inside
- 140 A4M140 1 Material Support & Chip Breaker
- 141 A4M141 1 Power Feed Cylinder Support
- 142 A4M142 1 Top Blade Support Channel
- 143 A4M143 1 Power Feed & Door Support Rod, Long
- 143A A4M143A 1 Power Feed & Door Support Rod, Short
- 144 A4M144 1 Cylinder Clamp Block Work Vise
- 144A A4M144A 1 Cylinder Clamp Block with Tang, Feed Vise Piece Vise
- 144B A4M144B 1 Cylinder Clamp Block Piece Vise with Tang
- 145 A4M145 1 Feed Vise Valve Actuator/End Stop
- 147 A4F275CE 1 Floor Stand Assembly
- 148 A4F275DE 1 Cylinder Cover
- 149 A4M167 1 Sensor Bracket Piece Vise
- 150 A4M164 1 Feed Forward Sensor Bracket
- 151 A4M1P165 2 Power Feed Cylinder Support Rods
- 152 A4M152 1 Feed Stop Washer
- 153 9B2P14 2 Linear Bearings
- 154 A4M165 1 Length Pointer Block
- 155 A4M276B 2 Door Hinge Block, Large
- 155A A4M276A 2 Door Hinge Block, Small
- 156 A4M150 1 Feed Vise Dust Shield
- 157 A4M186 1 Feed Cylinder Clevis
- 161 A4M161 1 Stop Support Head
- 162 A4M162 1 Eye Mount Tang Feed Cylinder

