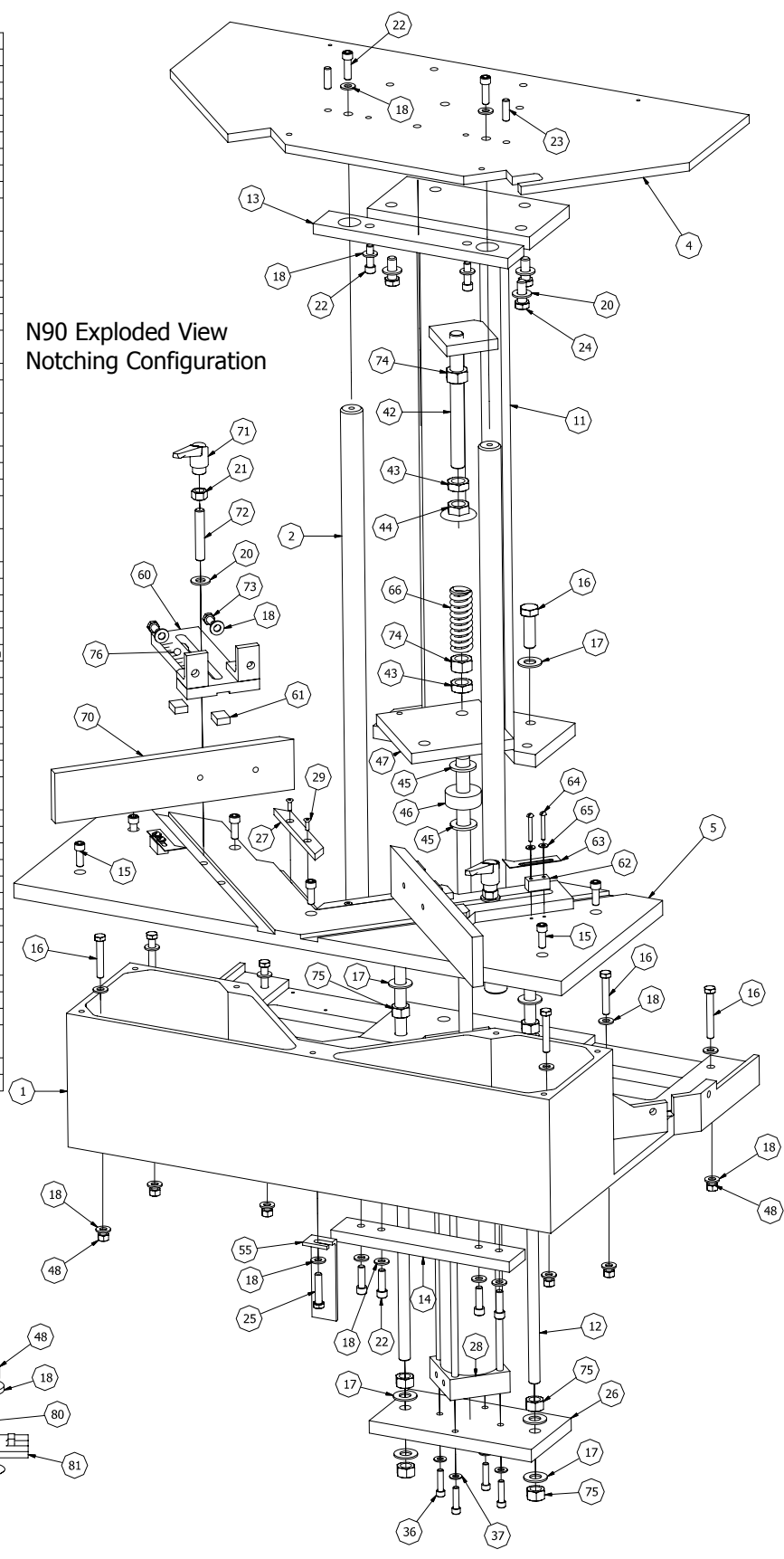


Parts List			
ITEM	QTY	PART NUMBER	DESCRIPTION
1	1	9C42	Base Casting
2	2	9M13	Linear Rod
4	1	9M10	Top Plate
5	1	9M11	Table
11	1	9ME40	Center Brace
12	2	9M70	Cylinder Support Rod
13	1	9M19A	Top Rod Mount
14	1	9M19	Bottom Rod Mount
15	7	3/8-16 x 1 Socket Head Screw	Table Locking Screw
16	6	3/8-16 x 2.25 Hex Bolt	Base Casting Locking Bolt
17	8	5/8 Washer	5/8 Washer
18	28	3/8 Washer	3/8 Washer
20	6	1/2 Washer	1/2 Washer
21	2	1/2-13 Hex Nut	1/2-13 Hex Nut
22	8	3/8-16 x 1.25 Socket Head Screw	3/8-16 x 1.25 Socket Head Screw
23	2	3/8 x 1.25 Dowel Pin	Top Plate Locking Pin
24	4	1/2-13 x 1.25 Hex Bolt	Center Brace Locking Bolt
25	1	3/8-16 x 1.75 Hex Bolt	Scrap Chute Angle Locking Bolt
26	1	9M63	Cylinder Support
27	2	9M60A	Chip Breaker
28	1	9B3P29	Air Cylinder
29	4	10-32 x 3/4 Flat Head Screw	Chip Breaker Attaching Screw
36	4	5/16-24 x 1.25 Socket Head Screw	Cylinder Support Locking Screw
37	4	5/16 Washer	5/16 Washer
42	1	9M62	Up Stop Bumper Stud
43	2	3/4 Jam Nut	3/4 Jam Nut
44	1	3/4-10 Flange Nut	3/4-10 Flange Nut
45	2	3/4 Washer	3/4 Washer
46	1	9M66	Rubber Cushion Bottom
47	1	9M39	Slide Support
48	6	3/8-16 Hex Nut	3/8-16 Hex Nut
55	1	9M54	Scrap Chute Angle
60	2	9E12	Toe Kick Bracket
61	4	9M37A	Fence Key
62	2	9M68	Gage Block
63	2	2DF15	Pointer
64	4	10-32 x 1.25 Slotted, Rd. Mach. Head Screw	Gage Block Attaching Screw
65	2	10 Washer	10 Washer
66	1	9B7P68	Upstop Spring
70	2	9M36	Toe Kick Fence
71	2	9B7P38	Quick Adjust Handle
72	2	9M73	Stud Locking Handle
73	4	3/8-16 x 1 Hex Bolt	3/8-16 x 1 Hex Bolt
74	2	3/4-10 Hex Nut	3/4-10 Hex Nut
75	6	5/8-11 Hex Nut	5/8-11 Hex Nut
76	2	2D7SL/R	Left or Right Fence Tape
77	1	15M36R	Front Fence Angle Rt.
78	1	15M36L	Front Fence Angle Lt.
79	1	15BM223	Fence Gage
80	4	3/8-16 x 1.75 Carriage Bolt	Fence Locking Bolt
81	4	BF19	Tab Washer
82	2	15M37	Fence Key

N90 Exploded View Notching Configuration



Fence Set Up for Miter Configuration

