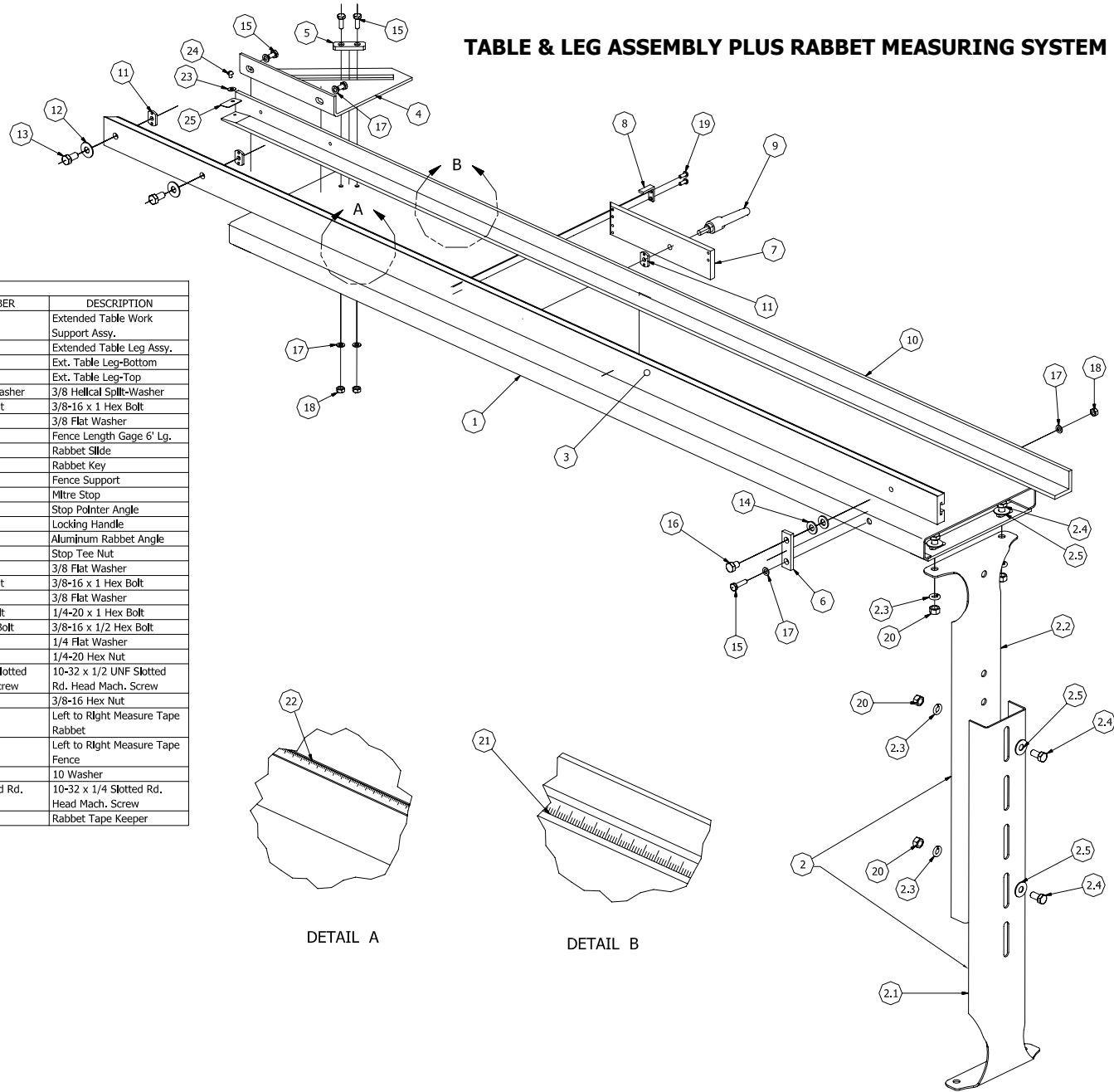
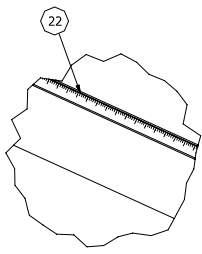


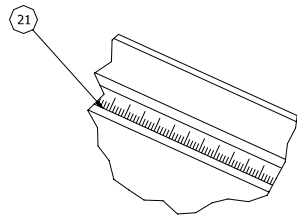
TABLE & LEG ASSEMBLY PLUS RABBET MEASURING SYSTEM



Parts List			
ITEM	QTY	PART NUMBER	DESCRIPTION
1	1	BF17	Extended Table Work Support Assy.
2	1	BF180E	Extended Table Leg Assy.
2.1	1	BF180	Ext. Table Leg-Bottom
2.2	1	BF181	Ext. Table Leg-Top
2.3	2	3/8 Helical Spilt-Washer	3/8 Helical Spilt-Washer
2.4	4	3/8-16 x 1 Hex Bolt	3/8-16 x 1 Hex Bolt
2.5	6	3/8 Flat Washer	3/8 Flat Washer
3	1	15BM223	Fence Length Gage 6' Lg.
4	1	20M26	Rabbet Slide
5	1	20M31	Rabbet Key
6	1	20M82	Fence Support
7	1	BF38	Mitre Stop
8	1	2BM39	Stop Pointer Angle
9	1	200B7P20	Locking Handle
10	1	15M85A	Aluminum Rabbet Angle
11	3	B1P51618	Stop Tee Nut
12	2	3/8 Flat Washer	3/8 Flat Washer
13	2	3/8-16 x 1 Hex Bolt	3/8-16 x 1 Hex Bolt
14	2	3/8 Flat Washer	3/8 Flat Washer
15	5	1/4-20 x 1 Hex Bolt	1/4-20 x 1 Hex Bolt
16	1	3/8-16 x 1/2 Hex Bolt	3/8-16 x 1/2 Hex Bolt
17	6	1/4 Flat Washer	1/4 Flat Washer
18	3	1/4-20 Hex Nut	1/4-20 Hex Nut
19	2	10-32 x 1/2 UNF Slotted Rd. Head Mach. Screw	10-32 x 1/2 UNF Slotted Rd. Head Mach. Screw
20	4	3/8-16 Hex Nut	3/8-16 Hex Nut
21	1	2D7SL	Left to Rlght Measure Tape Rabbet
22	1	2D7SLHF	Left to Rlght Measure Tape Fence
23	1	10 Washer	10 Washer
24	1	10-32 x 1/4 Slotted Rd. Head Mach. Screw	10-32 x 1/4 Slotted Rd. Head Mach. Screw
25	1	15M85B	Rabbet Tape Keeper



DETAIL A



DETAIL B